

D07-60 Selection Guide

D07-[] t [] ggg [] rrrr [] ff [] s [] m [] d

[t] Type Number

[60B] MFC
[60BM] MFM

[ggg] Gas

Please contact Helios Technologies for assistance in choosing the correct code for your particular gas.

[013] N₂
[007] H₂
[000] Mixture Gases (please consult [d] for details)

[rrrr] Full Scale Flow Range

[300L]	300 slm	[1K5L]	1500 slm
[500L]	500 slm	[2K0L]	2000 slm
[750L]	750 slm	[000C]	Customized Full Scale
[1K0L]	1000 slm		(please consult [d] for details)

[ff] Inlet and Outlet Fittings

[JJ] Swagelok® 10mm (F.S. = 300 slm)
[SS] Swagelok 1/2"(F.S.≤1000 slm)
[QQ] VCO® 1/2" male
[XX] Customized Fittings (please consult [d] for details)

[s] Seal Materials

[V] Viton®
[T] Teflon®

[m] Mounting Position

[H] Horizontal
[E] HESD (Horizontal Edge Side Down)
[U] Vertical Inlet Up
[D] Vertical Inlet Down

[d] Description

[S] Customized Requirements

Viton® and Teflon® are registered trademarks of DuPont™.
VCO® and Swagelok® are registered trademarks of Swagelok® Company.

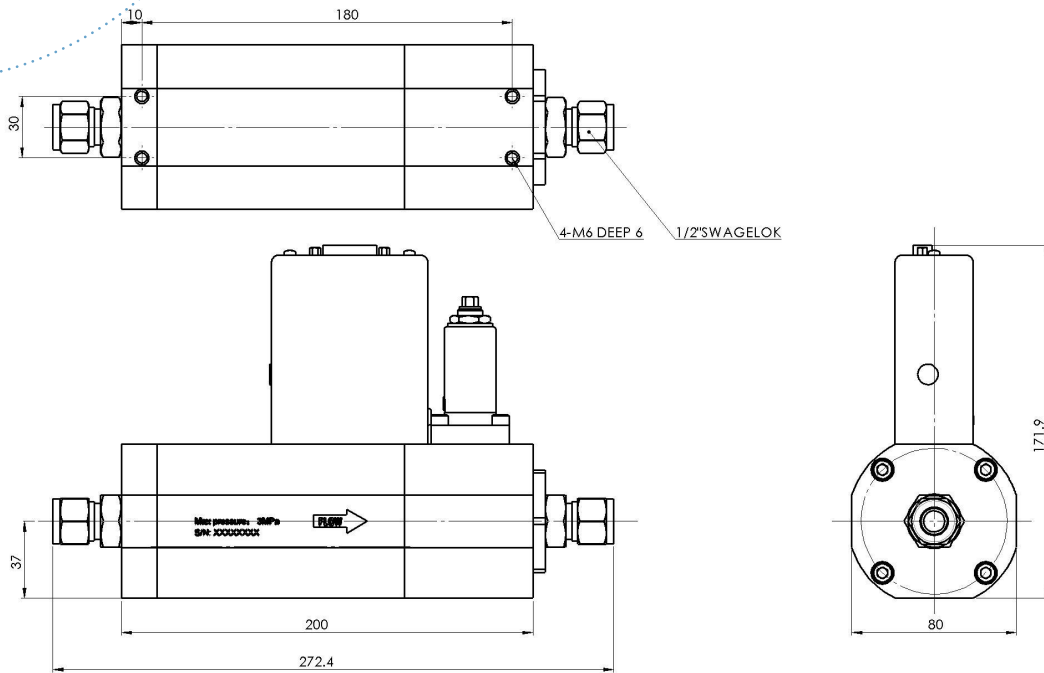


HELIOS TECHNOLOGIES, INC.

15032 Red Hill Ave, Suite C
Tustin, CA 92780 (714) 258-1777
heliostechinc.com • sales@heliostechinc.com

D07-60 Analog Elastomer-Sealed Mass Flow Controller/Meter - High Flow

Model	D07-60B MFC	D07-60M MFM
Full Scale Range (N ₂)	300, 500, 750, 1000, 1500, 2000 slm	
Control Range	2 - 100% F.S.	
Valve Type	Solenoid	-
Valve Rest Position	Normally Closed	-
Accuracy	± 2% F.S.	
Linearity	± 1% F.S.	
Repeatability	± 0.2% F.S.	
Response Time	< 10 sec	
Operation Pressure	(0.25 ~ 0.5) MPa (≤1000 slm) (0.4 ~ 0.6) MPa (1000 slm)	<0.2 MPa
Temperature Range	5 - 45° C	
Differential Pressure	<0.1 MPa	
Maximum Pressure	3 MPa	
Operation Temperature	5 ~ 45 °C	
Leak Integrity	<1×10 ⁻⁸ atm-cc/sec He	
Input Signal	0 ~ 5.00 V (Input Resistance > 500K)	-
Output Signal	0 ~ 5.00 V (Output Electric Current 3≤mA)	
Fittings	10 mm Swagelok® (300 slm), Swagelok (≤1000 slm), VCO® 1/2" male	
Power Supply	+15V 50mA -15V 50mA	
Weight	6 kg	5 kg



Helios Technologies offers a full range of options to meet your standard or custom specifications. Contact Helios Technologies to discuss your application and specific requirements.

VCO® and Swagelok® are registered trademarks of Swagelok® Company.



HELIOS TECHNOLOGIES, INC.

15032 Red Hill Ave, Suite C
Tustin, CA 92780 (714) 258-1777
heliostechinc.com • sales@heliostechinc.com

06.12